

VIKING®

Aluminium and Glass

**Balustrade or Pool Fencing System**

HOMESTEAD®

Aluminium

**Prefabricated Balustrade System**

 **JURALCO**  
  
BALUSTRADE SYSTEMS



# VIKING® BALUSTRADE

## PRODUCT FEATURES AND BENEFITS

- Designed and assembled in NZ
- Suitable for Occupancy Types A, A Other & C3 Residential
- Custom made to suit your home
- 5 year warranty on balustrade\*
- Complies with NZS1170, NZS4223.3:2016 & NZBC Clause F9 and 162C of the Building Act (pool safety legislation)
- Available in a wide range of Dulux® Powder Coat Colours
- Masterspec Details — Section 4852JB



## STRONG AND ELEGANT SAFETY BARRIER

Installed throughout NZ for nearly 20 years, Viking balustrade has proven itself as a strong and reliable safety barrier that is also popular for its choice of stylish finishes.

The Viking balustrade system is a dependable, low maintenance, aluminium and glass barrier system, which is sought-after for both decks and pool fencing. Viking can incorporate either aluminium balusters or toughened glass in a range of styles including fully framed or semi frameless glass balustrade finishes. Further options include the addition of an intermediate rail for a split rail finish.

Viking Semi Frameless glass balustrades include a handrail which are either top or front mounted. Top mounted handrails are available in a choice of 4 standard designs – rectangular, classic, round and elliptical. Front mounted interlinking rails are fitted to a bracket, which fixes to the balustrade post face, 100mm below the top edge.

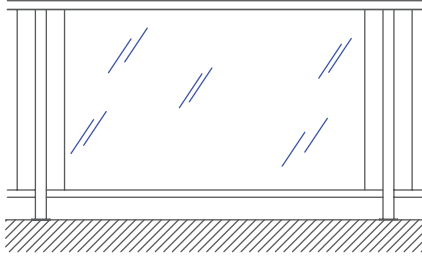
Engineered and tested to comply with the NZ Building Code, Viking balustrade has been designed to fit most NZ building scenarios including installation on modern floating or waterproof decks. Finished in a choice of modern powder coat colours with a 10 or 20 year warranty.



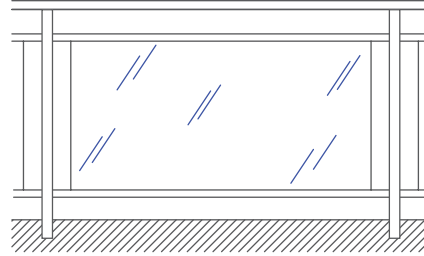
# GLASS INFILL

## FRAMED GLASS

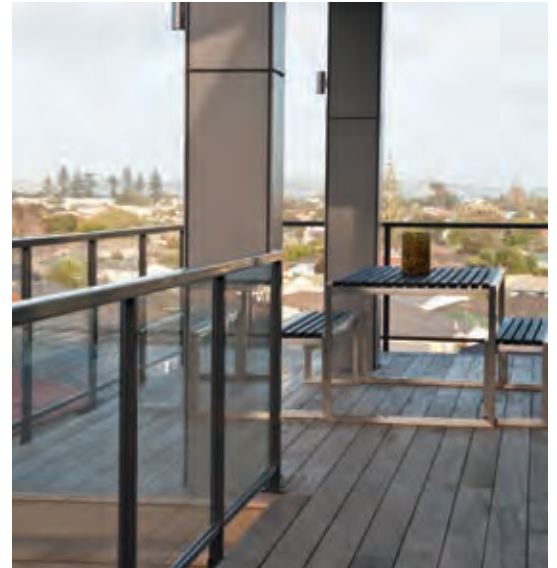
6mm glass framed with a top and bottom rail, in either full height or split rail. Top fix or face fix.



FULL HEIGHT.  
TOP FIX

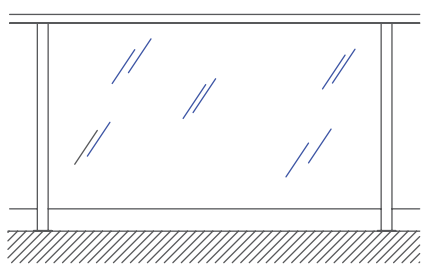


SPLIT RAIL.  
FACE FIX

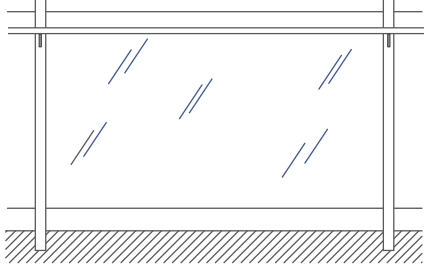


## SEMI-FRAMELESS GLASS

10mm glass in a pocketed post, with a top mounted handrail or face mounted interlinking rail. Top fix or face fix.



GLASS WITH HANDRAIL  
(TOP MOUNTED). TOP FIX



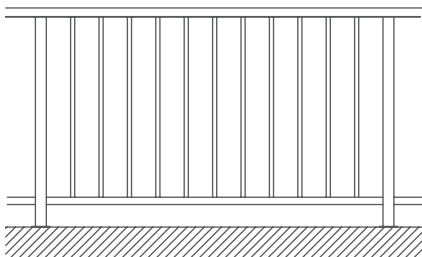
GLASS WITH INTERLINKING RAIL  
(FRONT MOUNTED). FACE FIX



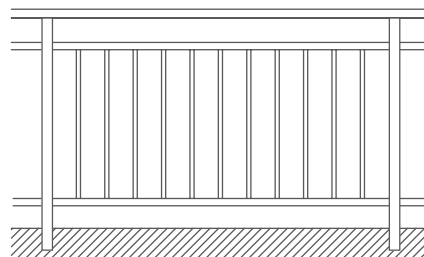
# BALUSTER INFILL

## BALUSTER

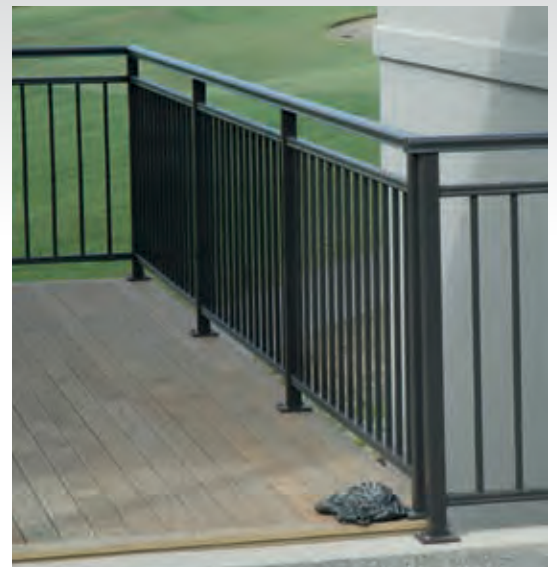
A contemporary 17mm square baluster, in either full height or split rail. Top fix or face fix.



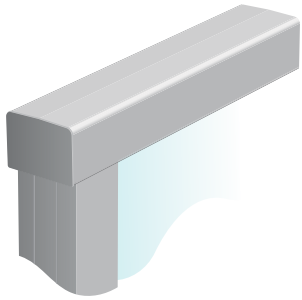
FULL HEIGHT.  
TOP FIX



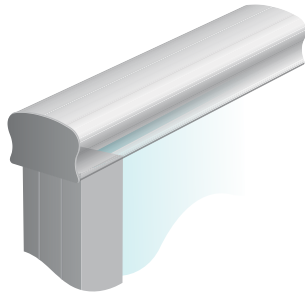
SPLIT RAIL.  
FACE FIX



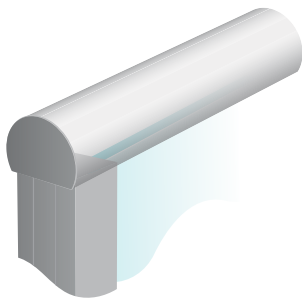
## HANDRAIL DESIGNS



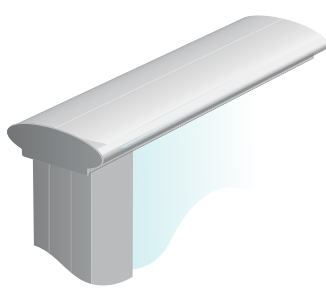
RECTANGULAR



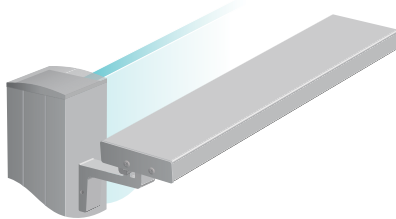
CLASSIC



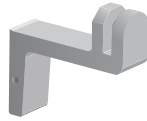
ROUND



ELLIPTICAL



INTERLINKING RAIL



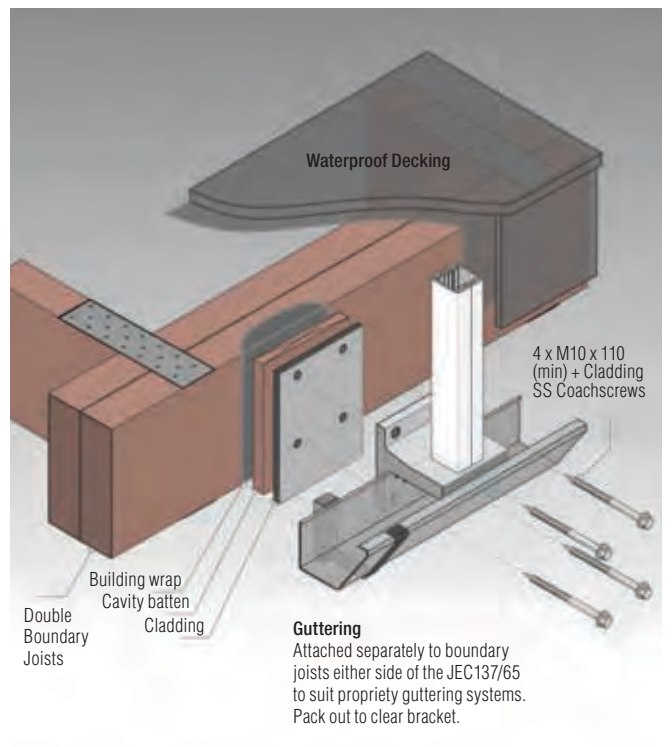
HANDRAIL BRACKET



## WATERPROOF/FLOATING DECKS

A specially designed fixing bracket is used for the installation of Viking balustrades on floating and waterproof decks, which maintains the integrity of the waterproof membrane. Balustrade posts are fixed directly to the gutter bracket, which is then attached to the boundary joists, clear of the membrane. The gutter is positioned under the gutter bracket and attaches to the fascia using its proprietary brackets and spacers.

Brackets conform to the AS/NZS1170 standard and can be powder coated to match the balustrade posts.



# HOMESTEAD<sup>®</sup> BALUSTRADE

## PRODUCT FEATURES AND BENEFITS

- Ready made baluster panels
- Suitable for Occupancy Types A, A Other & C3 Residential
- 5 year warranty on balustrade\*
- Conforms to the NZ Building Code and AS/NZ1170 regulations.
- Available in a wide range of Dulux<sup>®</sup> Powder Coat Colours
- Masterspec Details  
— Section 4852JB



## PREFABRICATED BALUSTRADE PANELS, READY FOR INSTALLATION

Homestead balustrade is constructed from prefabricated aluminium baluster panels and is ideal for customers requiring a strong, entry level aluminium balustrade.

Prefabricated panels are 1360mm wide x 975mm high and can be used on an angle up to 35 degrees (racked). Homestead is for residential applications only, where a barrier is required for a minimum 1000mm height.

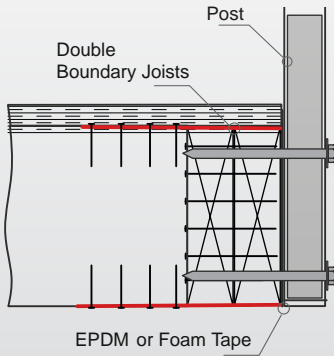
Homestead can be top mounted or face fixed with a newel post and is a popular choice for decks, retaining walls and even boundary fencing where a balustrade is required. A specially designed fixing bracket is also available for face fixing Homestead balustrade on waterproof decks, which maintains the integrity of the waterproofing membrane.

Finished in a choice of modern powder coat colours with a 10 or 20 year warranty.

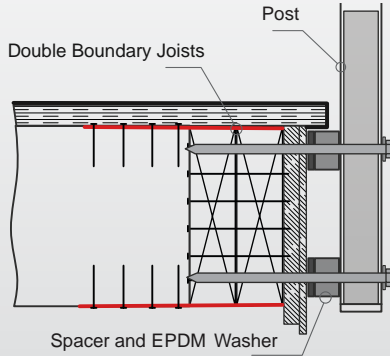


# TYPICAL FIXING DETAILS

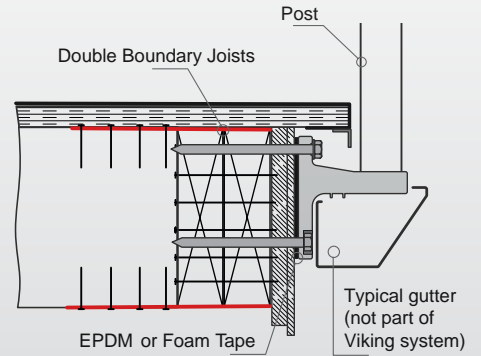
## FACE FIX TO TIMBER



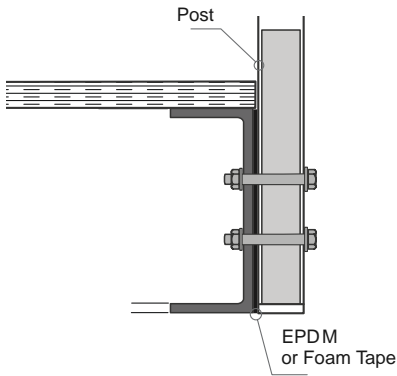
## FACE FIX TO WATERPROOF DECK



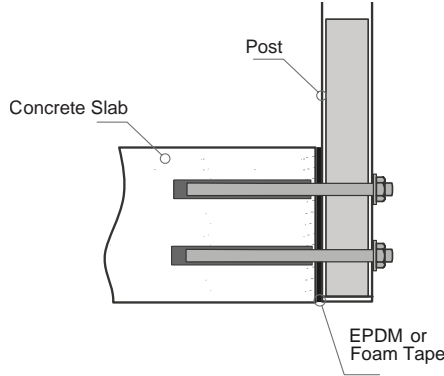
## FACE FIX TO WATERPROOF TIMBER DECK



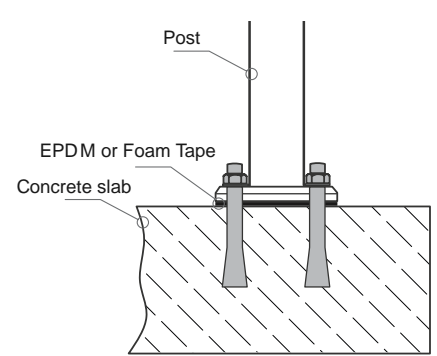
## FACE FIX TO STEEL



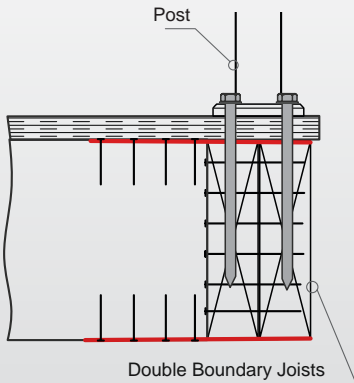
## FACE FIX TO CONCRETE SLAB



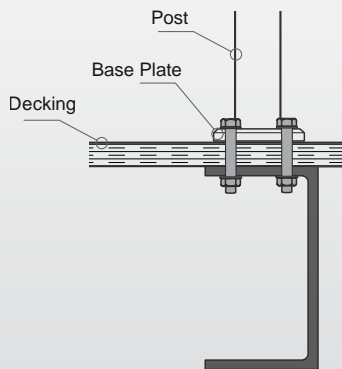
## TOP FIX TO CONCRETE



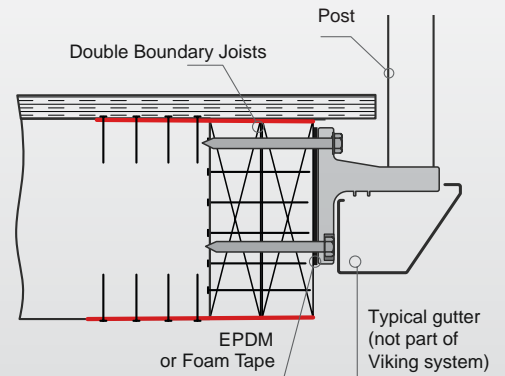
## TOP FIX TO TIMBER



## TOP FIX TO TIMBER DECK AND STEEL



## FACE FIX TO TIMBER WITH GUTTER BRACKET



The above represents only a few of the fixing details available—see your authorised Juralco Balustrade Installer for more details.

To guarantee customer satisfaction and ensure a high standard of quality, Viking and Homestead balustrade systems are only available from the most highly qualified tradesman who have been certified to install these balustrade systems. You can refer to the address here and be confident that you will have a service that matches the Juralco balustrade product quality. The products in this brochure are the subject of intellectual property protection.

All brands are either trademarks of Juralco Aluminium Building Products Ltd or used under licence. Dulux® is a registered trademark of Dulux Group (Australia) PTY LTD.

**masterspec partner**

SECTION 4852J



\*For warranty terms & conditions see [www.juralcobalustrades.co.nz](http://www.juralcobalustrades.co.nz)

Available from:

Authorised Installer